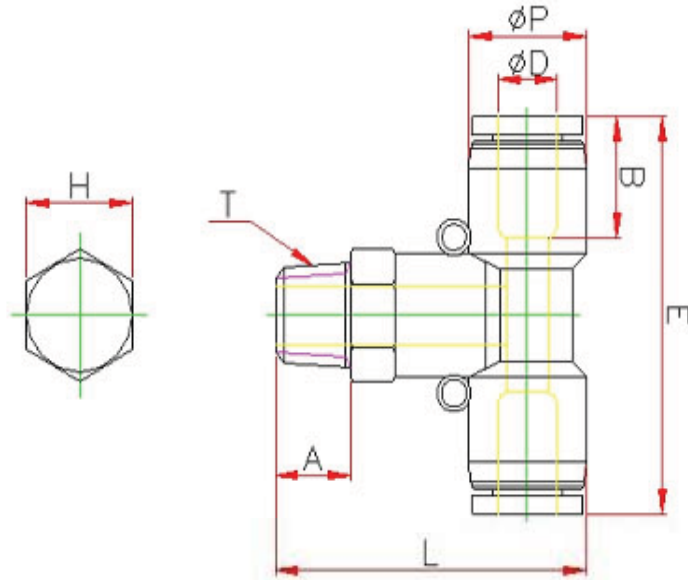


1-496-01~09



MODEL	ϕD	ϕP	T	L	E	A	B	H(Hex)	weight(g)
04-M5	4	10.7	M5*0.8p	27.5	34.5	4	14.4	10	8.8
04-01	4	10.7	R1/8	31	34.5	7.5	14.4	10	10
06-M5	6	12.7	M5*0.8p	31.5	39.5	4	15.5	12	12.6
06-01	6	12.7	R1/8	33.8	39.5	7.5	15.5	12	13.3
08-01	8	14.7	R1/8	37	45	7.5	17.5	14	18.4
08-02	8	14.7	R1/4	38.5	45	9	17.5	14	19.4
10-01	10	18.4	R1/8	43.8	54	7.5	19.8	17	34
10-02	10	18.4	R1/4	45.3	54	9	19.8	17	34
10-03	10	18.4	R3/8	45.3	54	9	19.8	17	34